

Hose fitting with safety clamps EN 14420/DIN 2817

Flange connection EN14420-4

Luxe's DIN 2817 flange connection complying with EN 14420, are available in carbon steel or stainless steel. It contains Swiveling flange and Fixed flange, with smooth or serrated hose tail & collar. And it's suitable for assembly of the ferrules or DIN 2817 safety clamps.

Application

Luxe's DIN 2817 flange coupling are used for petroleum based products, liquefied petroleum gas including ammonia, solvents, mud, water and air.

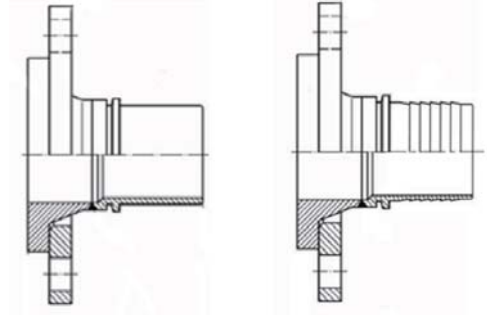
Material

Stainless steel 316 / EN 1.4408

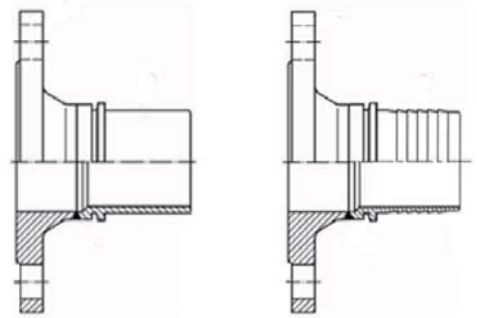
Carbon steel: 235JRG/ EN 1.0038

Features

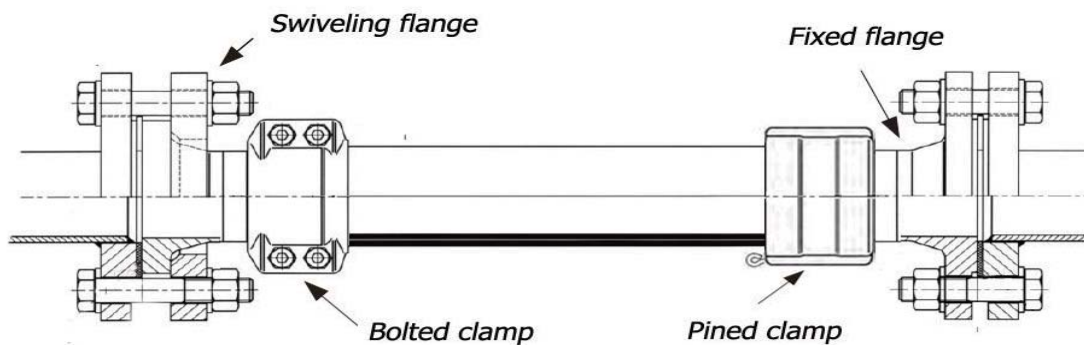
1. To connect rubber, pvc and thermoplastic hoses.
2. Suitable for rubber hoses to BS EN 14420:2004 with safety clamps.



Swivel Flange



Fixed Flange



Hose fitting with safety clamps EN 14420/DIN 2817

Fixed Flange EN14420-4

Luxecasting 2014	Name	Size	Code	Tail D mm	Price USD
with smooth tail and collar Stainless steel	FFSM25SS	1"	L1503002	25	
	FFSM32SS	1 1/4"	L1503003	32	
	FFSM40SS	1 1/2"	L1503004	40	
	FFSM50SS	2"	L1503005	50	
	FFSM65SS	2 1/2"	L1503006	65	
	FFSM75SS	3"	L1503007	75	
	FFSM100SS	4"	L1503009	100	
	FFSM125SS	5"	L1503010	125	
	FFSM150SS	6"	L1503011	150	
	FFSM200SS	8"	L1503012	200	
Carbon steel	FFSM25CS	1"	L1503016	25	
	FFSM32CS	1 1/4"	L1503017	32	
	FFSM40CS	1 1/2"	L1503018	40	
	FFSM50CS	2"	L1503019	50	
	FFSM65CS	2 1/2"	L1503020	65	
	FFSM75CS	3"	L1503021	75	
	FFSM100CS	4"	L1503023	100	
	FFSM125CS	5"	L1503024	125	
	FFSM150CS	6"	L1503025	150	
	FFSM200CS	8"	L1503026	200	
with serrated tail and collar Stainless steel	FFSE25SS	1"	L1508002	25	
	FFSE32SS	1 1/4"	L1508003	32	
	FFSE40SS	1 1/2"	L1508004	40	
	FFSE50SS	2"	L1508005	50	
	FFSE65SS	2 1/2"	L1508006	65	
	FFSE75SS	3"	L1508013	75	
	FFSE100SS	4"	L1508008	100	
	FFSE125SS	5"	L1508009	125	
	FFSE150SS	6"	L1508010	150	
	FFSE200SS	8"	L1508011	200	
Carbon steel	FFSE25CS	1"	L1508016	25	
	FFSE32CS	1 1/4"	L1508017	32	
	FFSE40CS	1 1/2"	L1508018	40	
	FFSE50CS	2"	L1508019	50	
	FFSE65CS	2 1/2"	L1508020	65	
	FFSE75CS	3"	L1508021	75	
	FFSE100CS	4"	L1508023	100	
	FFSE125CS	5"	L1508024	125	
	FFSE150CS	6"	L1508025	150	
	FFSE200CS	8"	L1508026	200	

Hose fitting with safety clamps EN 14420/DIN 2817

Swivel Flange EN14420-4

Luxecasting 2014	Name	Size	Code	Tail D mm	Price USD
with smooth tail and collar Stainless steel	FSSM25SS	1"	L1591003	25	
	FSSM32SS	1 1/4"	L1591004	32	
	FSSM40SS	1 1/2"	L1591005	40	
	FSSM50SS	2"	L1591006	50	
	FSSM65SS	2 1/2"	L1591007	65	
	FSSM75SS	3"	L1591008	75	
	FSSM100SS	4"	L1591010	100	
	FSSM125SS	5"	L1591011	125	
	FSSM150SS	6"	L1591012	150	
	FSSM200SS	8"	L1591013	200	
Carbon steel	FSSM25CS	1"	L1591016	25	
	FSSM32CS	1 1/4"	L1591017	32	
	FSSM40CS	1 1/2"	L1591018	40	
	FSSM50CS	2"	L1591019	50	
	FSSM65CS	2 1/2"	L1591020	65	
	FSSM75CS	3"	L1591021	75	
	FSSM100CS	4"	L1591023	100	
	FSSM125CS	5"	L1591024	125	
	FSSM150CS	6"	L1591025	150	
	FSSM200CS	8"	L1591026	200	
with serrated tail and collar Stainless steel	FSSE25SS	1"	L1592003	25	
	FSSE32SS	1 1/4"	L1592004	32	
	FSSE40SS	1 1/2"	L1592005	40	
	FSSE50SS	2"	L1592006	50	
	FSSE65SS	2 1/2"	L1592007	65	
	FSSE75SS	3"	L1592008	75	
	FSSE100SS	4"	L1592010	100	
	FSSE125SS	5"	L1592011	125	
	FSSE150SS	6"	L1592012	150	
	FSSE200SS	8"	L1592014	200	
Carbon steel	FSSE25CS	1"	L1592016	25	
	FSSE32CS	1 1/4"	L1592017	32	
	FSSE40CS	1 1/2"	L1592018	40	
	FSSE50CS	2"	L1592019	50	
	FSSE65CS	2 1/2"	L1592020	65	
	FSSE75CS	3"	L1592021	75	
	FSSE100CS	4"	L1592023	100	
	FSSE125CS	5"	L1592024	125	
	FSSE150CS	6"	L1592025	150	
	FSSE200CS	8"	L1592026	200	